



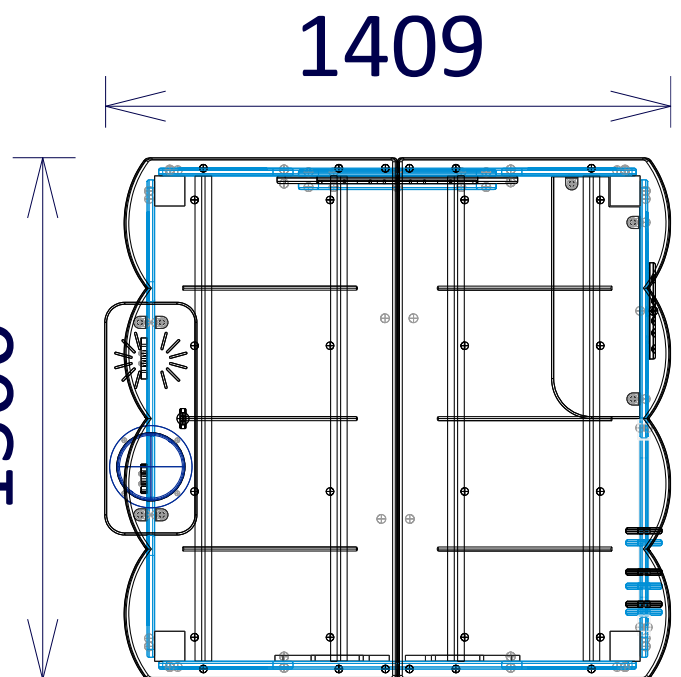
Meticulously designed with the utmost consideration for the safety and developmental needs of toddlers, this shop-themed playground structure combines creativity and functionality. The Toddler Shop features interactive play panels, fostering motor skills, imagination, and social interaction in our youngest adventurers.

### Specifications

|   |
|---|
| Product code: FS176                     |
| Age range: 0-5 Years                    |
| Equipment size: 1300mm x 1409mm         |
| Max equipment height: 1630mm            |
| Play spaces: Parks, schools, commercial |

### MATERIALS

|                       |  |
|-----------------------|--|
| <b>COLOURS</b>        | Uprights and steel components:<br>Standard powder coat - White 41<br>Plastic: Standard HDPE plastic -<br>Red, beige, grey<br>Acrylic: Red<br>Rubber: Black |
| <b>MATERIAL SPECS</b> | Frame: Aluminium<br>Steel components: Stainless steel<br>Powder coating: 80-120u<br>Plastic: Standard HDPE & acrylic<br>Rubber: Conveyor belt              |



### STANDARDS

Complies with relevant Australian Standards including: AS 4685:2021 (P1-6) | AS 4685.0:2017 | AS 4422:2016

\*All information is commercial in confidence and is the property of The Play Collective.  
For details regarding Australian standards, warranties, insurances, QA and installation, please contact your local office. All information is correct as at November 2022.